

Atmosphyre

2706 New Scotland Road
Voorheesville, NY 12186
518-655-0126

Aged Nickel Tub Filler

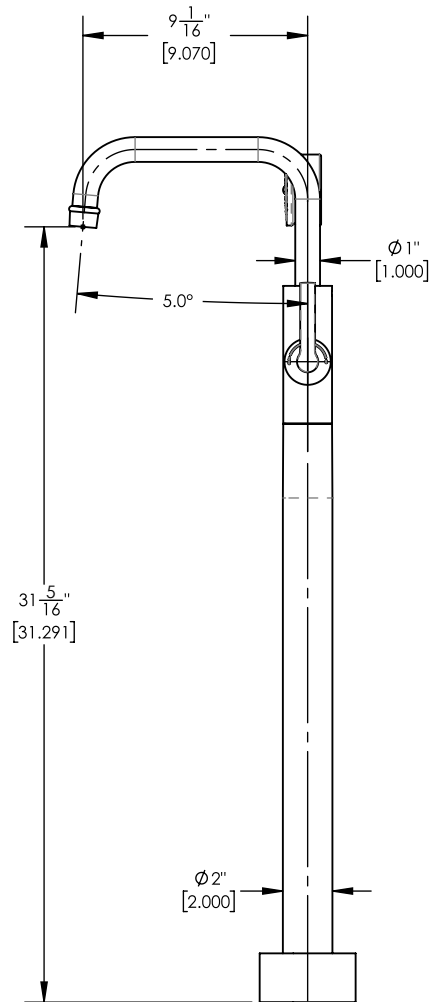
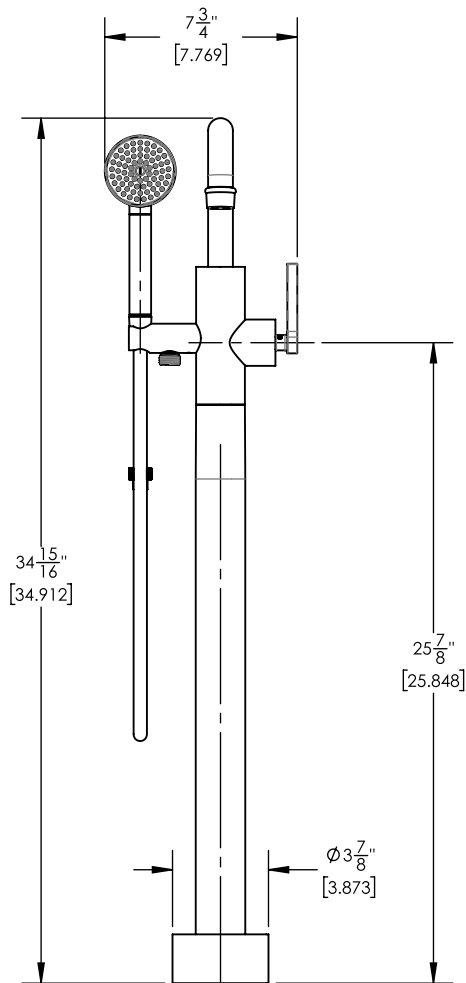


www.atmosphyre.com
james@atmosphyre.com

TECHNICAL DETAILS

Hand Shower Flow Rate: 1.8 gpm
Spout Flow Rate: Full Flow
Hand Shower Hose Length: 59"
Spout Reach: 9 1/16"
Water Pressure Maximum: 85 PSI
Water Pressure Minimum: 20 PSI
Water Pressure Recommended: 60 PSI

PRODUCT DIMENSIONS



CODES & STANDARDS

ASME A112.181/CSA B1251, ASME 112.18.2/CSA B125.2, ANSI NSF, CEC

WARRANTY

Mechanical Warranty: 10 Years from date of purchase.
Finish Warranty: See catalog for further information.