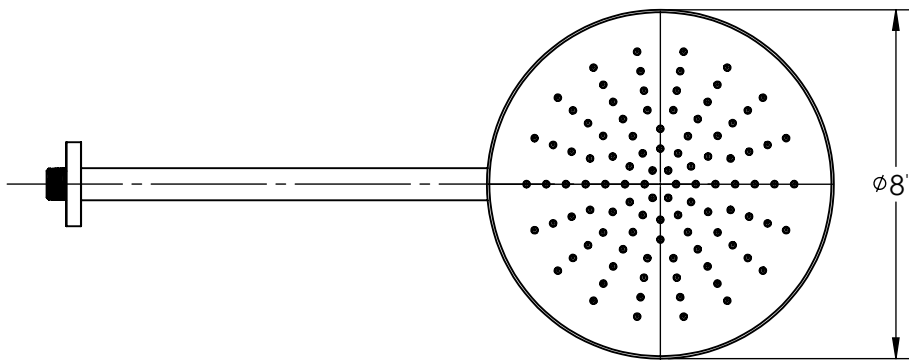
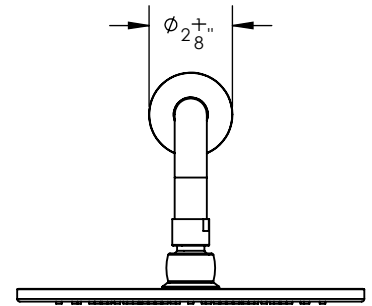
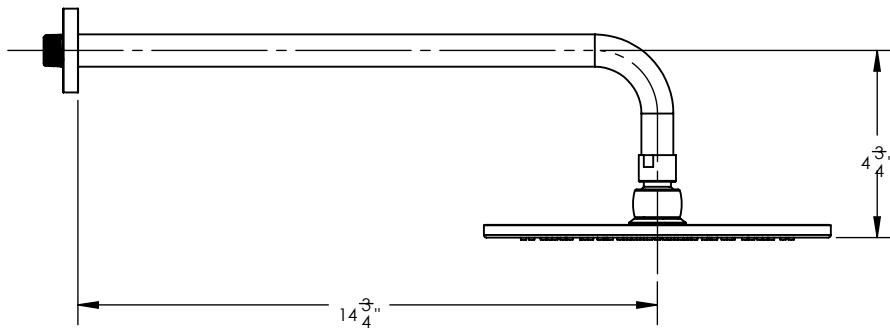


Atmosphyre

2706 New Scotland Road
Voorheesville, NY 12186
518-655-01286

8" Rain Head

www.atmosphyre.com
james@atmosphyre.com





TECHNICAL DETAILS

ADA Compliance: Yes
Access Hole Diameter: 5"
Handle Turn Angle: 115°
Installation Type: Wall Mounted
Primary Material: Brass
Valve Material: Ceramic

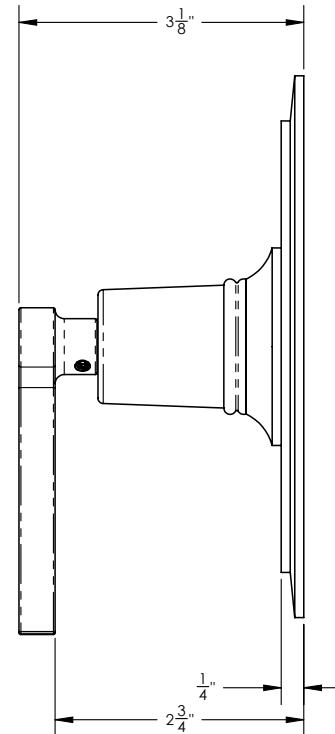
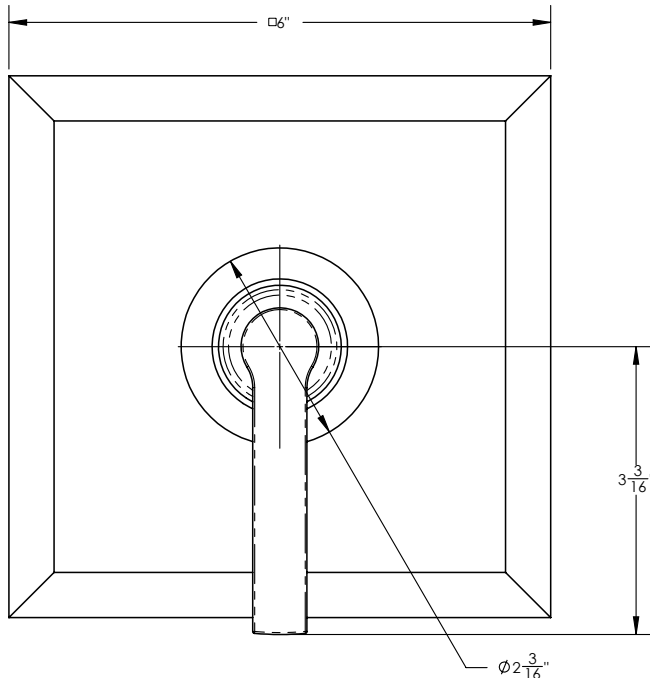
CODES & STANDARDS



ASME A112.181/ CSA B1251, ASME 112.18.2/ CSA B125.2, ANSI NSF, CEC,
Watersense 61 Sect. 9, State of MA.

WARRANTY

Mechanical Warranty: 10 Years from date of purchase.
Finish Warranty: See catalog for further information.



Atmosphyre

2706 New Scotland Road
Voorheesville, NY 12186
518-655-01286

Bath Tub Spout

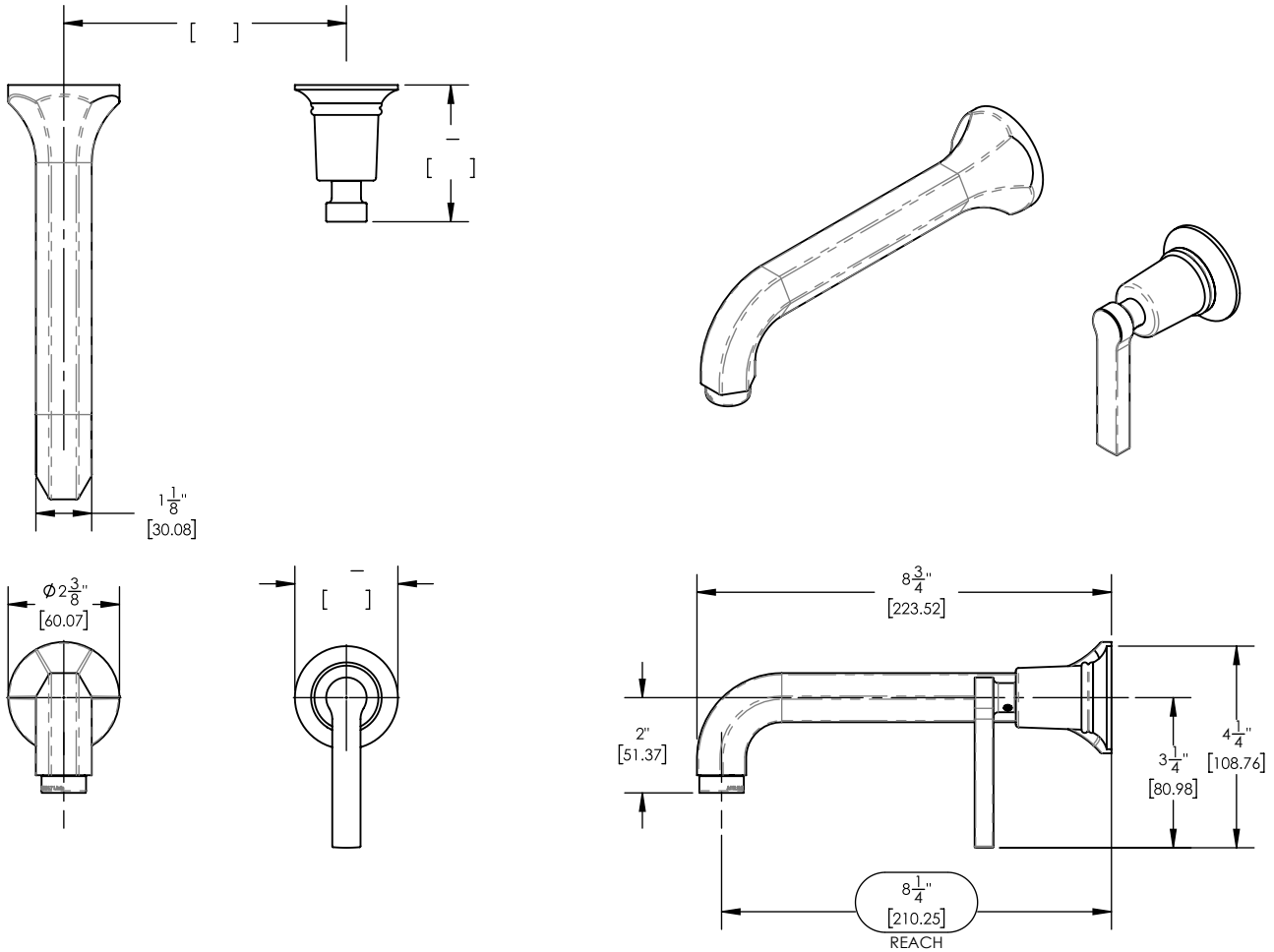
www.atmosphyre.com
james@atmosphyre.com



■ TECHNICAL DETAILS

ADA Compliance: No
Drain Assembly Material: Brass
Fitting Hole Diameter: 1 1/8"
Number of Holes: Two Hole
Number of Handles: One
Handle Turn Angle: Quarter Turn
Spout Reach: 8 1/4"
Installation Type: Wall Mounted
Primary Material: Brass
Valve Material: Ceramic
Flow Restriction: 1.2 gpm
Water Pressure Maximum: 85 PSI
Water Pressure Minimum: 20 PSI
Water Pressure Recommended: 60 PSI

■ PRODUCT DIMENSIONS



CODES & STANDARDS

ASME A112.181/CSA B1251, ASME 112.18.2/CSA B125.2, ANSI NSF, CEC

WARRANTY

Mechanical Warranty: 10 Years from date of purchase.
Finish Warranty: See catalog for further information.