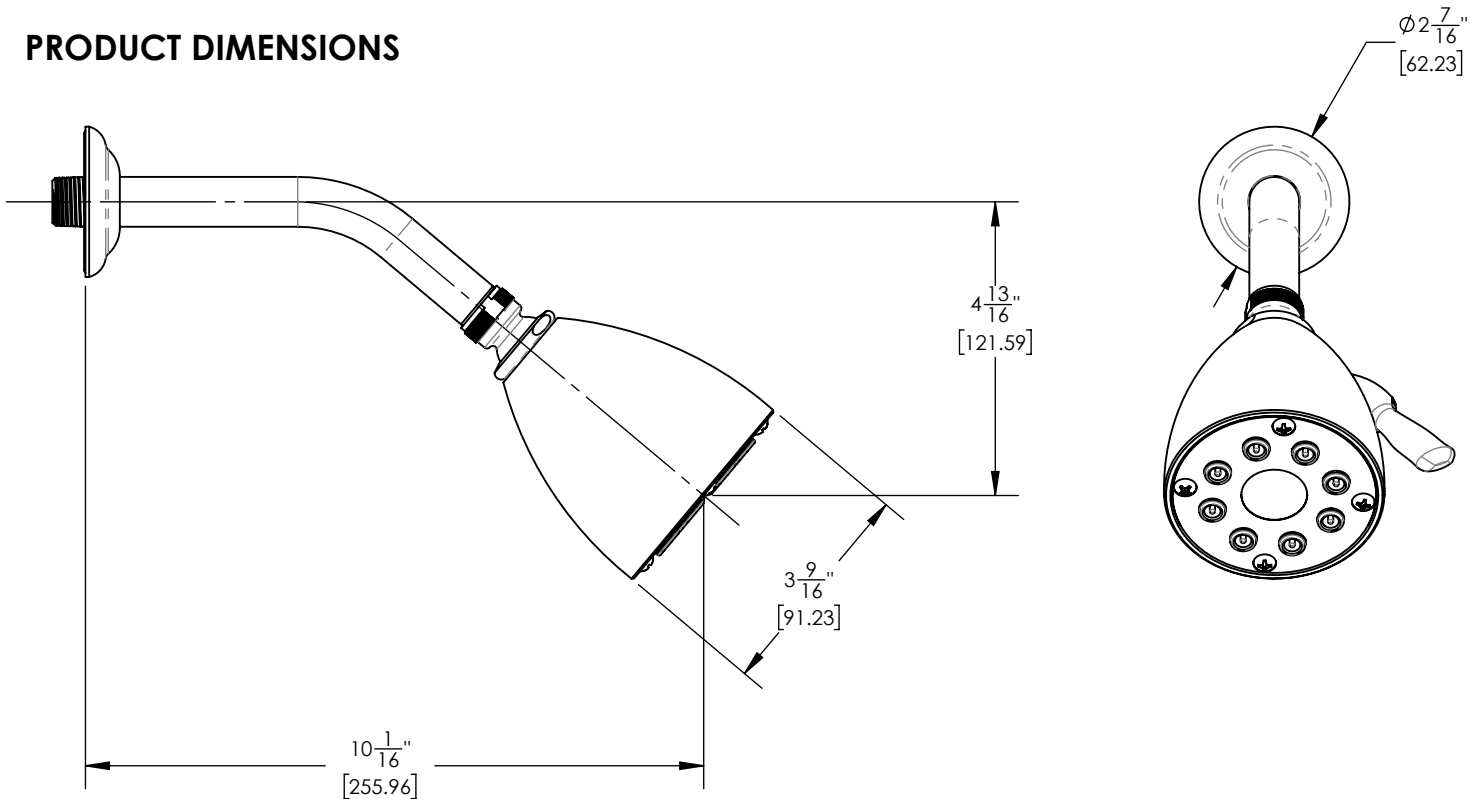




TECHNICAL DETAILS

Installation Type: Wall Mounted
Primary Material: Brass
Flow Restriction: 1.75 gpm
Water Pressure Maximum: 85 PSI
Water Pressure Minimum: 20 PSI
Water Pressure Recommended: 60 PSI

PRODUCT DIMENSIONS



CODES & STANDARDS

ASME A112.181/ CSA B1251, ASME 112.18.2/ CSA B125.2, ANSI NSF, CEC

WARRANTY

Mechanical Warranty: 10 Years from date of purchase.
Finish Warranty: See catalog for further information.



TECHNICAL DETAILS

ADA Compliance: Yes
Access Hole Diameter: 5"
Handle Turn Angle: 115°
Installation Type: Wall Mounted
Primary Material: Brass
Valve Material: Ceramic

CODES & STANDARDS



ASME A112.181/ CSA B125.1, ASME 112.18.2/ CSA B125.2, ANSI NSF, CEC,
Watersense 61 Sect. 9, State of MA.

WARRANTY

Mechanical Warranty: 10 Years from date of purchase.
Finish Warranty: See catalog for further information.

