

# Atmosphyre

2706 New Scotland Road  
Voorheesville, NY 12186  
518-655-01286

## Bathroom Shower Head

www.atmosphyre.com  
james@atmosphyre.com



### PRODUCT FEATURES

- With round escutcheon
- Four Functions: aerated, blade, massage and rain
- Comes with 8" Arm and Escutcheon
- 1.8 gpm @ max

### TECHNICAL DETAILS

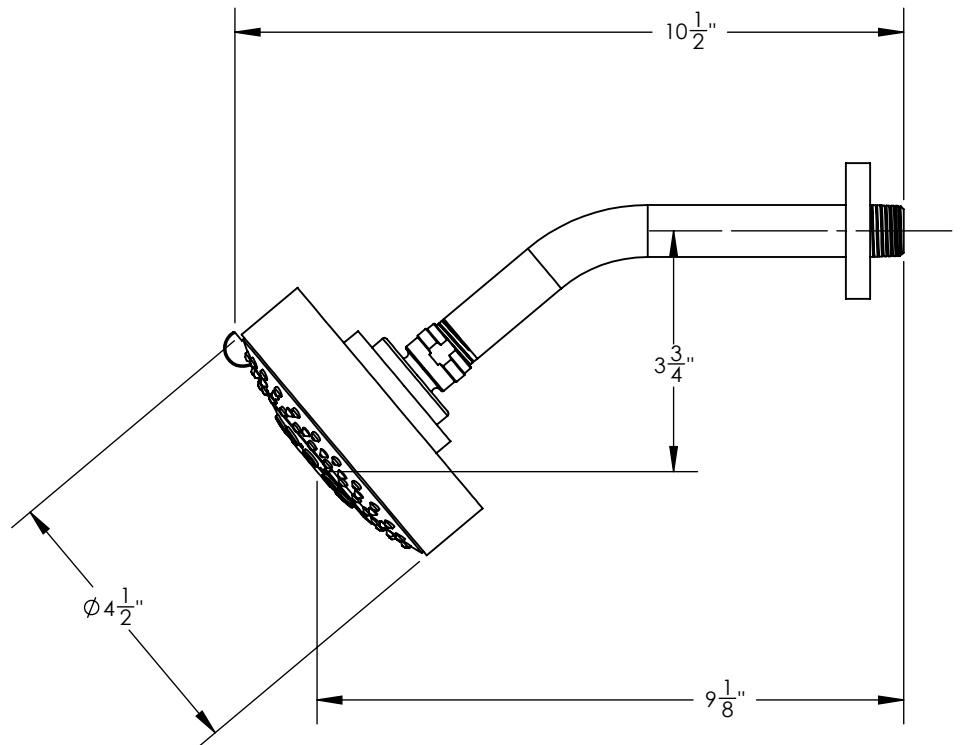
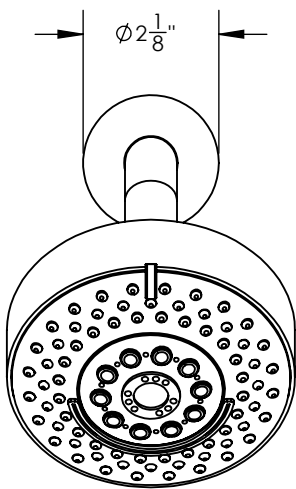
Installation Type: Wall Mounted  
Primary Material: Brass  
Flow Restriction: 1.8 gpm  
Water Pressure Maximum: 85 PSI  
Water Pressure Minimum: 20 PSI  
Water Pressure Recommended: 60 PSI

### CODES & STANDARDS

ASME A112.181/ CSA B125.1, ASME 112.18.2/ CSA B125.2, ANSI NSF, CEC, Watersense 61 Sect. 9, State of MA.

### WARRANTY

Mechanical Warranty: 10 Years from date of purchase.  
Finish Warranty: See catalog for further information.





## TECHNICAL DETAILS

ADA Compliance: Yes  
Access Hole Diameter: 5"  
Handle Turn Angle: 115°  
Installation Type: Wall Mounted  
Primary Material: Brass  
Valve Material: Ceramic

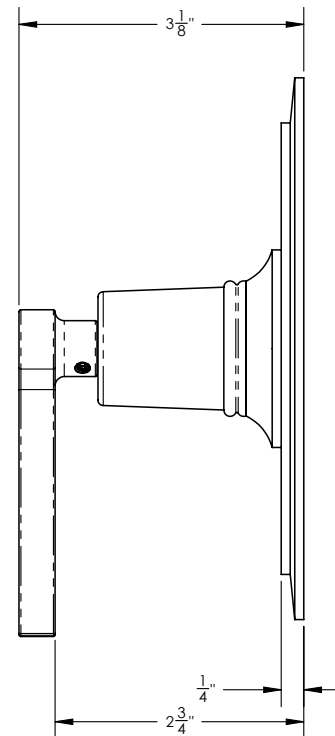
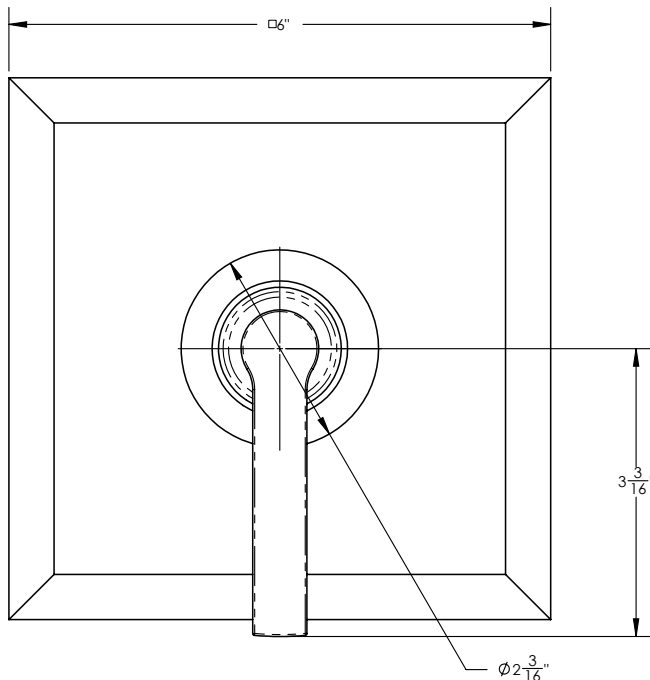
## CODES & STANDARDS



ASME A112.181/ CSA B1251, ASME 112.18.2/ CSA B125.2, ANSI NSF, CEC,  
Watersense 61 Sect. 9, State of MA.

## WARRANTY

Mechanical Warranty: 10 Years from date of purchase.  
Finish Warranty: See catalog for further information.





### TECHNICAL DETAILS

ADA Compliance: No  
 Primary Material: Brass

### PRODUCT FEATURES

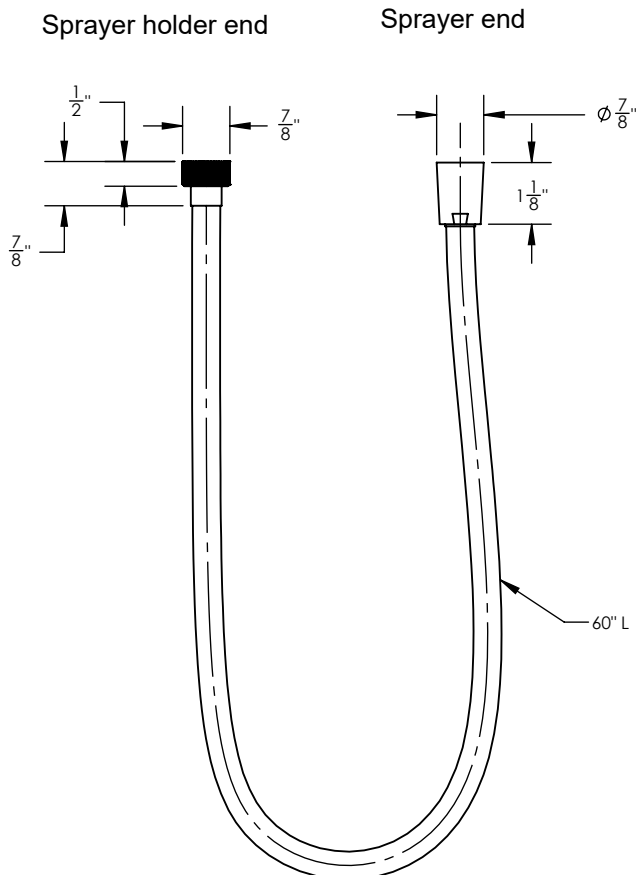
- Hose Length: 59"

### CODES & STANDARDS



### WARRANTY

Mechanical Warranty: 10 Years from date of purchase.  
 Finish Warranty: See catalog for further information.





### TECHNICAL DETAILS

ADA Compliance: No  
Primary Material: Brass  
Hand Shower Flow Restriction: 1.8 GPM

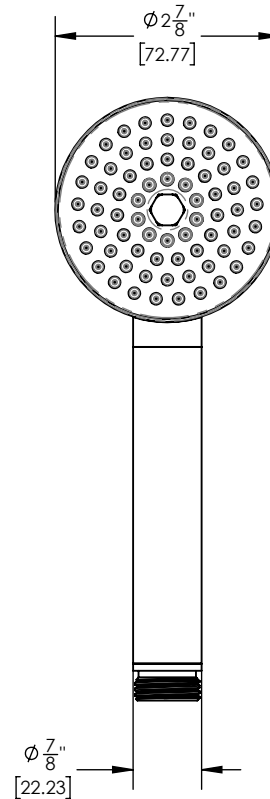
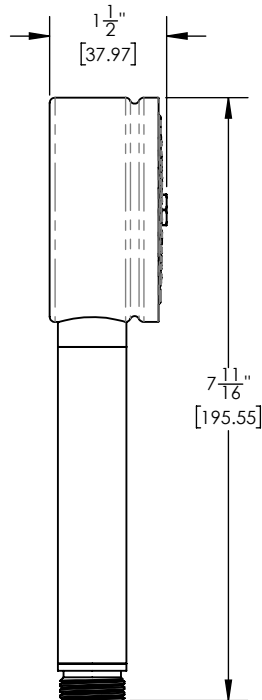
### PRODUCT FEATURES

### CODES & STANDARDS



### WARRANTY

Mechanical Warranty: 10 Years from date of purchase.  
Finish Warranty: See catalog for further information.



# Atmosphyre

2706 New Scotland Road  
Voorheesville, NY 12186  
518-655-01286

Trim and Lever Handle

[www.atmosphyre.com](http://www.atmosphyre.com)  
[james@atmosphyre.com](mailto:james@atmosphyre.com)

## TECHNICAL DETAILS

---

ADA Compliance: Yes  
Access Hole Diameter: 1 1/8"  
Handle Turn Angle: Quarter Turn  
Installation Type: Wall Mounted  
Primary Material: Brass



## CODES & STANDARDS

---

## WARRANTY

---

Mechanical Warranty: 10 Years from date of purchase.  
Finish Warranty: see catalog for further information.

