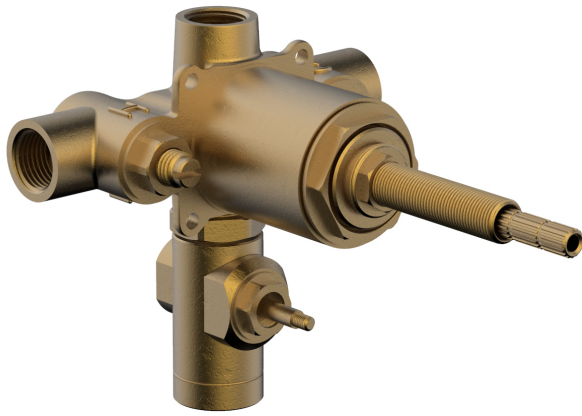


2706 New Scotland Road  
 Voorheesville, NY 12186  
 518-655-01286

www.atmosphyre.com  
 james@atmosphyre.com



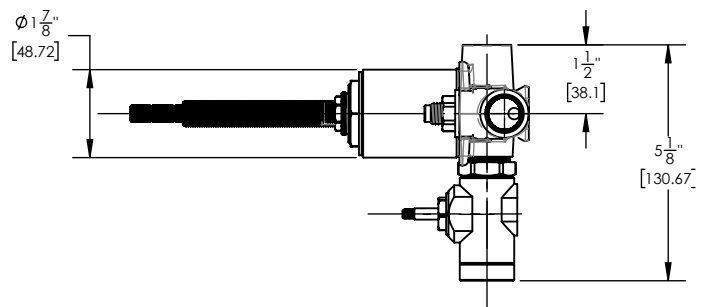
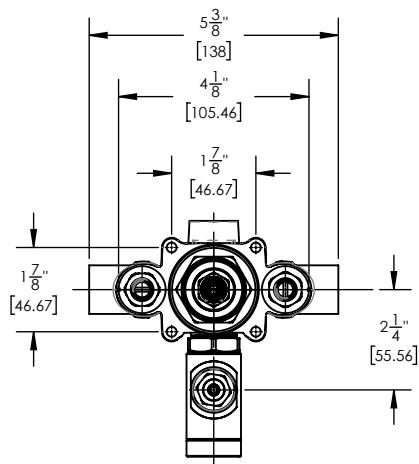
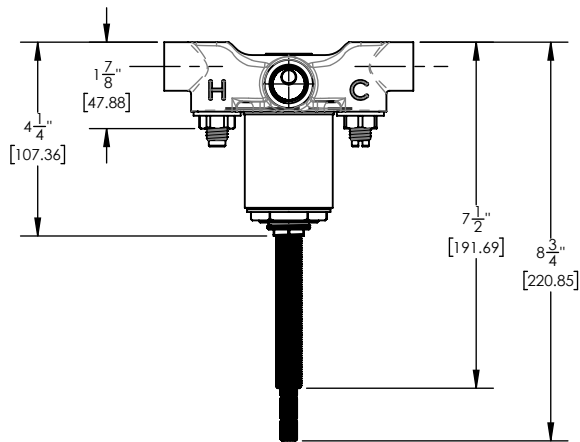
### ■ PRODUCT FEATURES

- Female 1/2" NPT inlets and outlets
- Factory temperature setting = 118°F (48°C)
- Temperature Hot Supply = 149°F to 180°F (65° to 82°C)
- Temperature Cold Supply = 50°F to 72°F (10° to 22°C)
- Adjustable Temperature Limit Stop
- Temperature stability compliant with ASSE 1016

### ■ TECHNICAL DETAILS

ADA Compliance: No  
 Primary Material: Brass

### ■ PRODUCT DIMENSIONS



**CODES & STANDARDS**

ASME A112.181/ CSA B1251, ASSE 1016, CEC

### WARRANTY

Mechanical Warranty: 10 Years from date of purchase.  
 Finish Warranty: See catalog for further information.