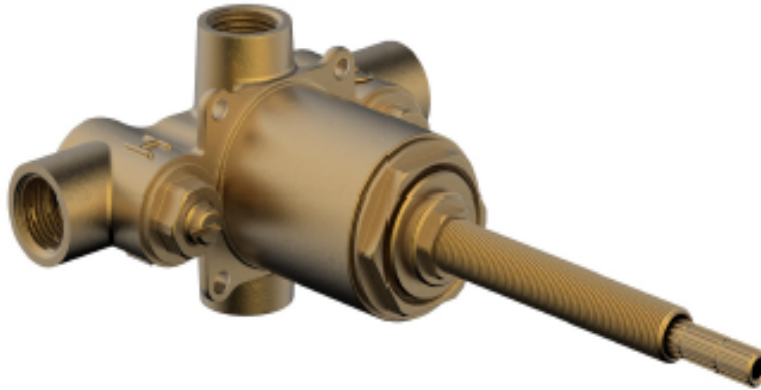


# Atmosphyre

2706 New Scotland Road  
Voorheesville, NY 12186  
518-655-01286

## Pressure Shower Valve

www.atmosphyre.com  
james@atmosphyre.com



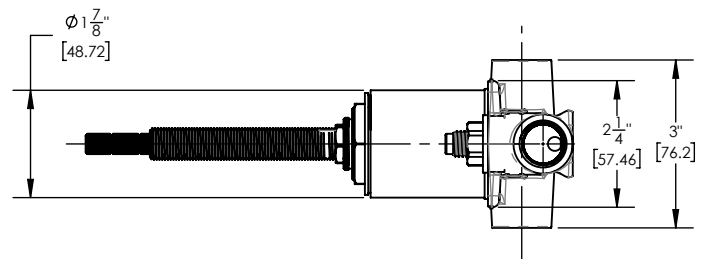
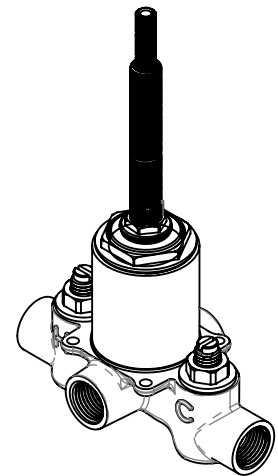
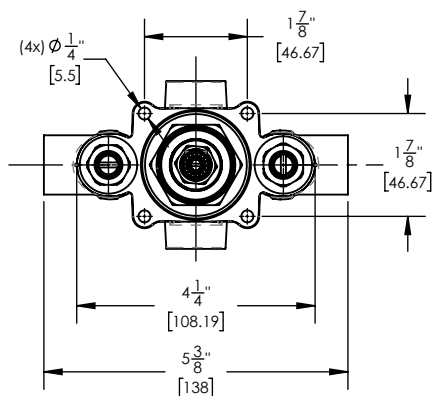
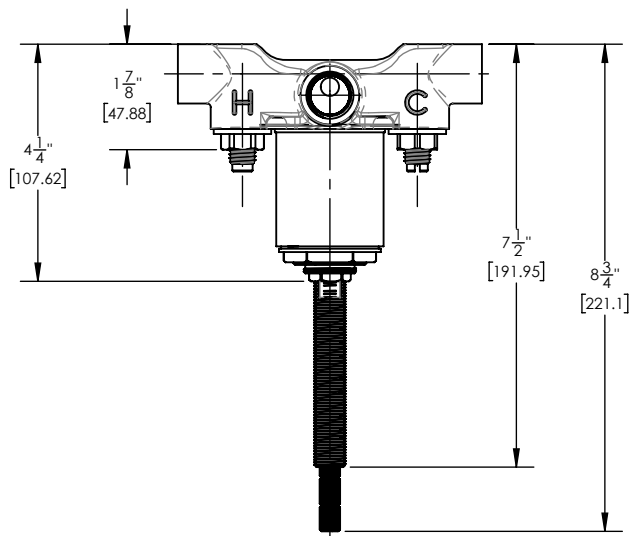
### ■ PRODUCT FEATURES

- Female 1/2" NPT inlets and outlets
- Factory temperature setting = 118°F (48°C)
- Temperature Hot Supply = 149°F to 180°F (65° to 82°C)
- Temperature Cold Supply = 50°F to 72°F (10° to 22°C)
- Adjustable Temperature Limit Stop
- Temperature stability compliant with ASSE 1016

### ■ TECHNICAL DETAILS

ADA Compliance: No  
Primary Material: Brass

### ■ PRODUCT DIMENSIONS



### CODES & STANDARDS

ASME A112.181/ CSA B1251, ASSE 1016

### WARRANTY

Mechanical Warranty: 10 Years from date of purchase.  
Finish Warranty: See catalog for further information.