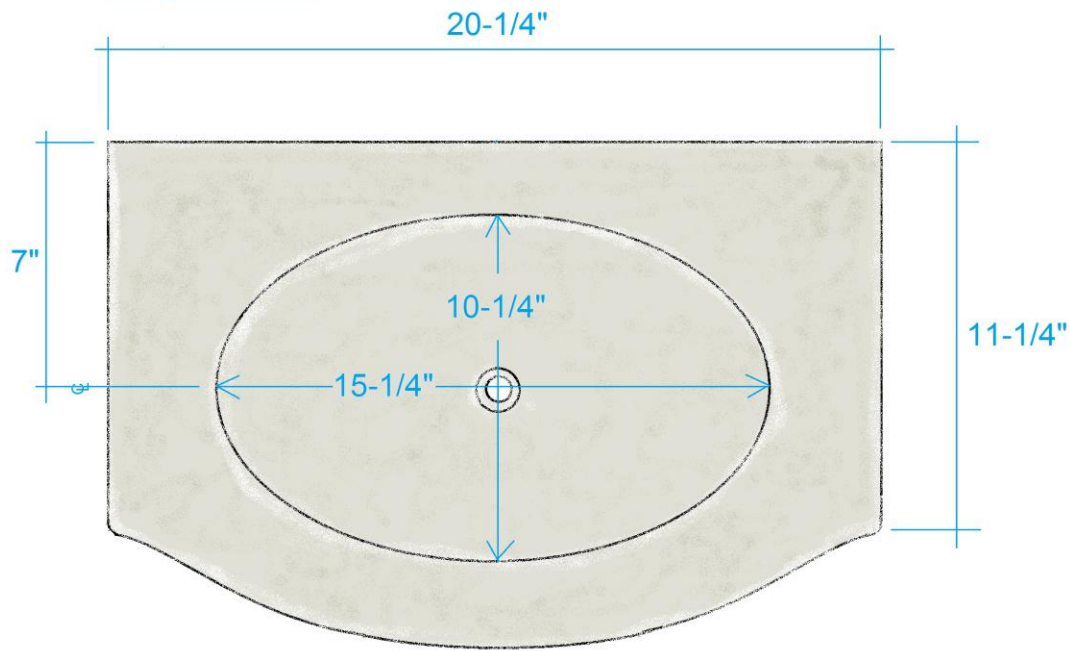


Atmosphyre

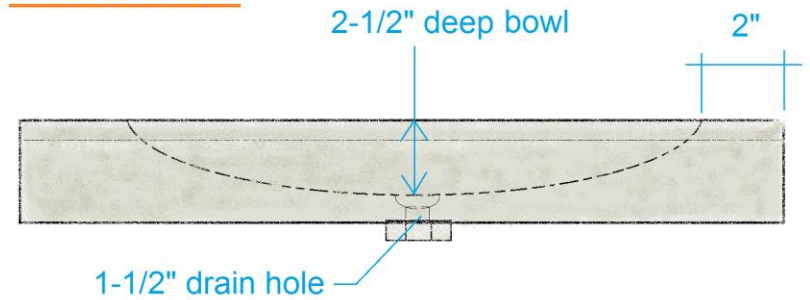
Top View



Does not have an overflow hole on this sink
Can be used with an overflow drain
Weight: 38 lbs
Material: Glass fiber concrete
Sealer: Urethane
Drain size: 1-1/4" drain

Ella Rose Vessel Sink

Front View



Side View

