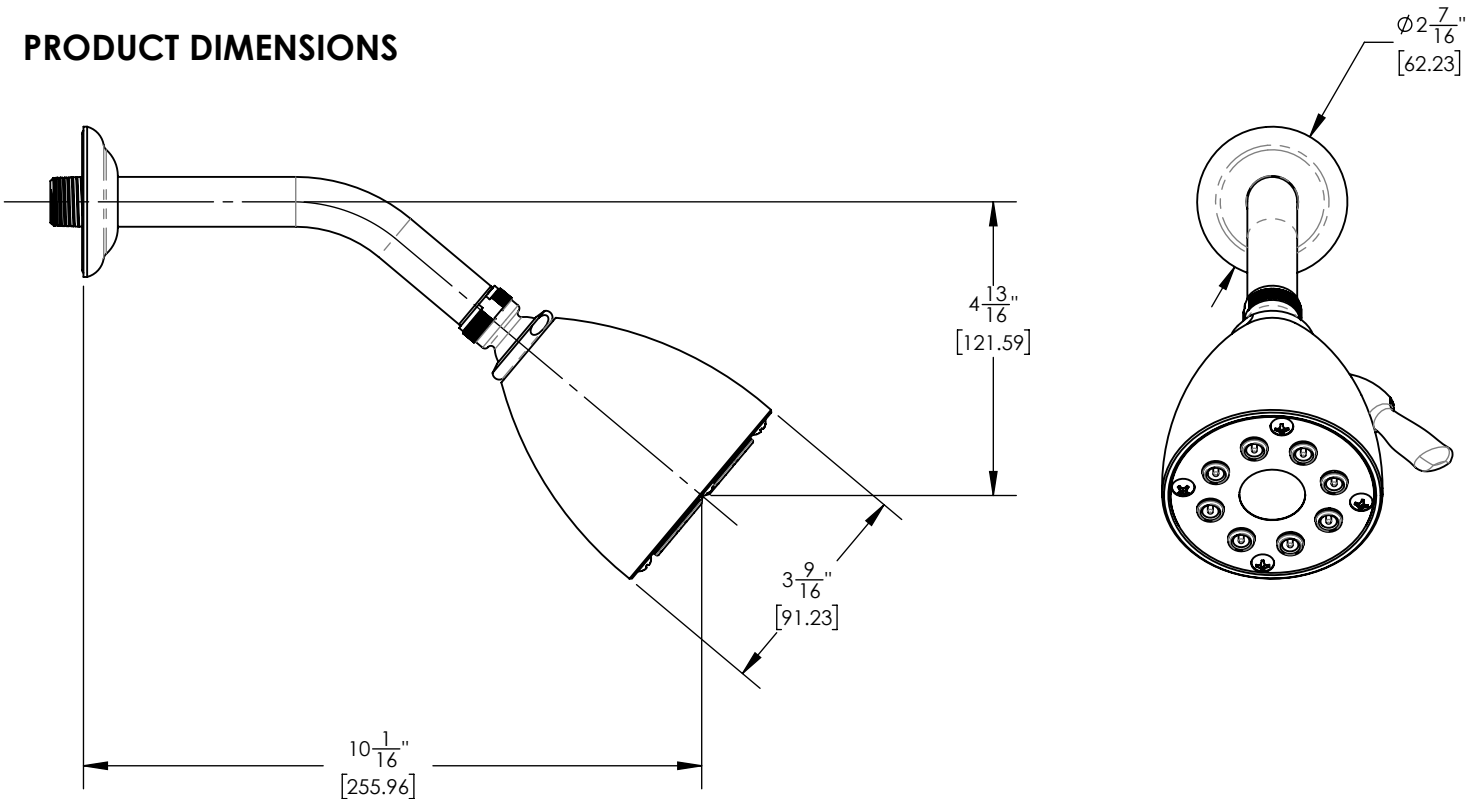




### TECHNICAL DETAILS

Installation Type: Wall Mounted  
Primary Material: Brass  
Flow Restriction: 1.75 gpm  
Water Pressure Maximum: 85 PSI  
Water Pressure Minimum: 20 PSI  
Water Pressure Recommended: 60 PSI

### PRODUCT DIMENSIONS



### CODES & STANDARDS

ASME A112.181/ CSA B1251, ASME 112.18.2/ CSA B125.2, ANSI NSF, CEC

### WARRANTY

Mechanical Warranty: 10 Years from date of purchase.  
Finish Warranty: See catalog for further information.